



LVIV
planters

LVIV
planters

Exclusive planters, shaped in timeless materials.

The LVIV collection is designed by Jan Buelens, who combines his technical experience with a lifelong passion for design and plants. His constant search for innovation results in this collection where materials and shapes blend together. Every detail is the fruit of his creative energy.

For the past 30 years, Jan collaborated with various renowned garden architects and designers. Feel free to contact him for your special project.

LVIV planters
Hoogstraatsebaan 93
2960 Brecht – Belgium

www.lviv.be
info@lviv.be

Photography © Illias Teirlinck
Design: canjotto





Brass Round Planter





Brass Cube Planter



Projects



A photograph of a planter with a plant, showing shadows on a blue background. The planter is a dark, cylindrical object. The plant has thin, dark stems and small, light-colored flowers. The background is a bright blue sky. The shadows of the plant and the planter are cast onto the blue background, creating a pattern of dark shapes.

LVIV planters are handmade in Europe. Our production combines the highest standards both in techniques and materials. The result is a unique object, suitable for private as well as public spaces.

Due to our special light-weight design, LVIV planters are suitable for terraces and indoor decoration.

Polyester Planter

To ensure the quality of the colors, the polyester planters are mass-colored, which makes them color-fast and UV resistant. Besides coming in different sizes, these planters can be finished in a wide variety of RAL colors to fit your project's needs.





Our planters' special double-walled construction makes them both solid and surprisingly light-weight at the same time, rendering them particularly suitable for laying out terraces. Their inside structure makes them shape-fast and provides insulation during periods of extreme cold and heat alike.





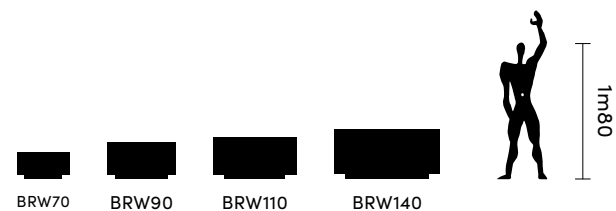
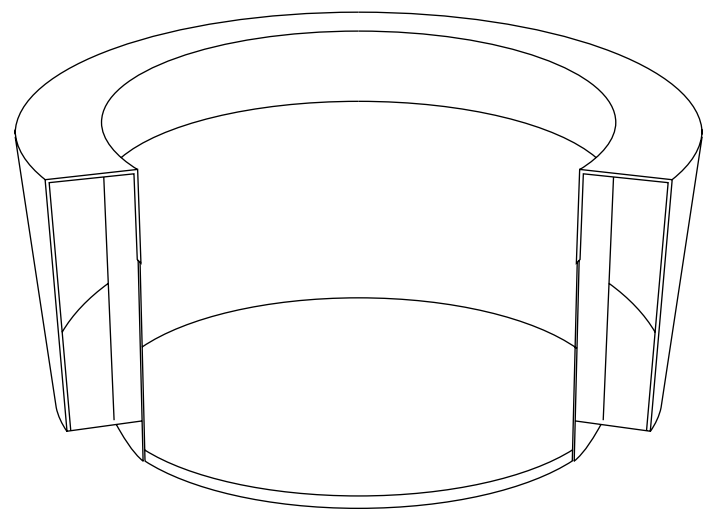




Technical information

Polyester Planter

To ensure the quality of the colors, the polyester planters are mass-colored, which makes them color-fast and UV resistant. Besides coming in different sizes, these planters can be finished in a wide variety of RAL colors to fit your project's needs. To create the perfect insulation, we designed the planters with a broad rim. For indoor use, the stainless steel drainage must be closed. For outdoor use, it must be left open.

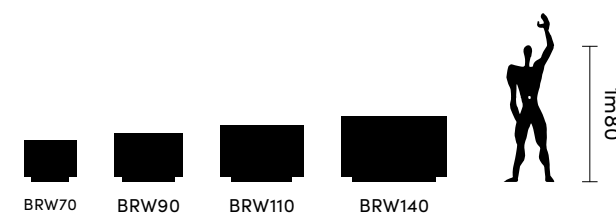
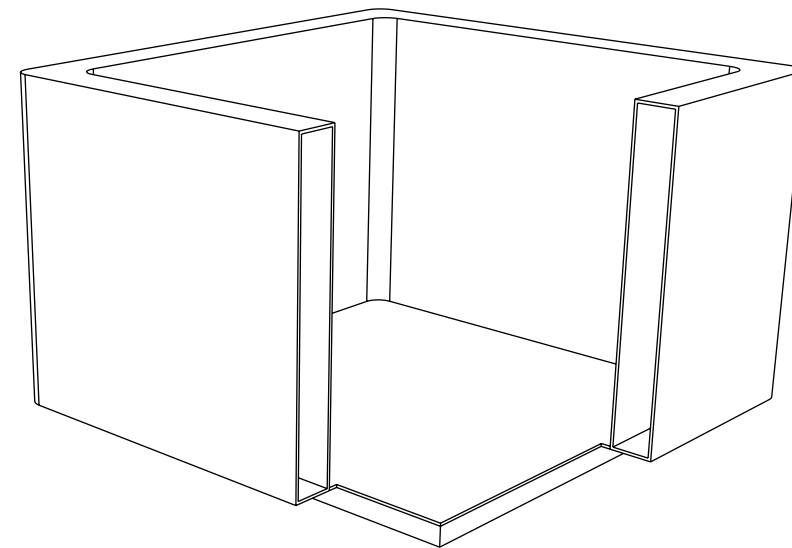


PRR70	∅ 70 cm	∅ 50 cm	∓ 36 cm	11 kg	70 L
PRR90	∅ 90 cm	∅ 65 cm	∓ 49 cm	17 kg	160 L
PRR110	∅ 110 cm	∅ 80 cm	∓ 56 cm	30 kg	280 L
PRR140	∅ 140 cm	∅ 100 cm	∓ 66 cm	50 kg	500 L

available in all RAL colours

Brass Cube Planter

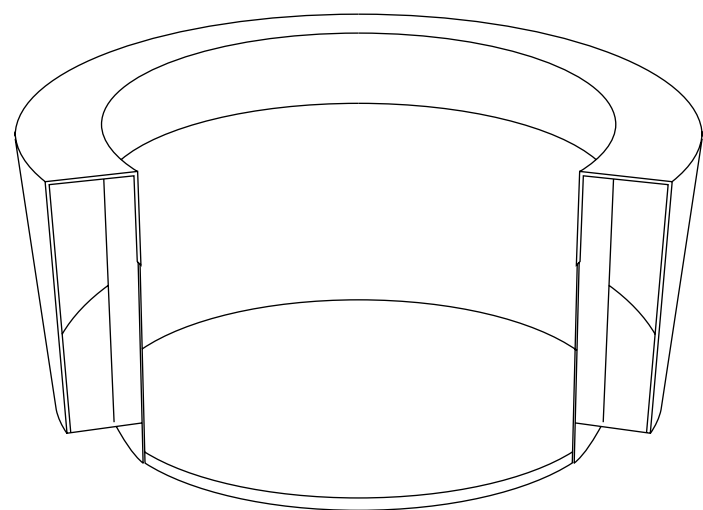
The Brass Cube Planter is square-shaped and has been developed to meet the same high standards in terms of quality, design and use. It comes in 4 sizes: 70, 90, 110 and 140 cm. The latter is designed to be handled by a forklift. The light-weight design makes the planters suitable for outdoor use or indoor decoration. For indoor use, the stainless steel drainage must be closed. For outdoor use, it must be left open.



BCW70	⊠ 70 x 70 cm	⊠ 58 x 58 cm	∓ 52 cm	28 kg	160 L
BCW90	⊠ 90 x 90 cm	⊠ 76 x 76 cm	∓ 62 cm	48 kg	350 L
BCW110	⊠ 110 x 110 cm	⊠ 92 x 92 cm	∓ 72 cm	68 kg	580 L
BCW140	⊠ 140 x 140 cm	⊠ 118 x 118 cm	∓ 84 cm	105 kg	900 L

Brass Round Planter

The Brass Round Planter is available up to a two-metre width and the larger models are specially designed to be handled by a forklift. Due to our special light-weight design, LVIV planters are suitable for terraces and indoor decoration. For indoor use, the stainless steel drainage must be closed. For outdoor use, it must be left open.



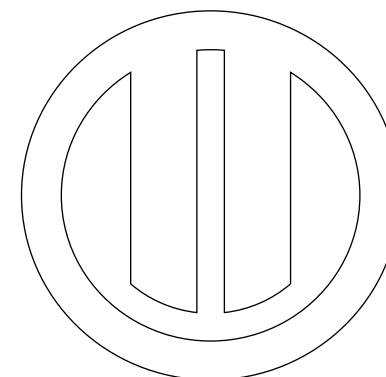
BRW52	∅ 52 cm	∅ 38 cm	∓ 28 cm	9 kg	25 L
BRW62	∅ 62 cm	∅ 46 cm	∓ 32 cm	12 kg	50 L
BRW70	∅ 70 cm	∅ 50 cm	∓ 36 cm	16 kg	70 L
BRW90	∅ 90 cm	∅ 65 cm	∓ 49 cm	28 kg	160 L
BRW110	∅ 110 cm	∅ 80 cm	∓ 56 cm	40 kg	280 L
BRW140	∅ 140 cm	∅ 100 cm	∓ 66 cm	67 kg	500 L
BRW170	∅ 170 cm	∅ 120 cm	∓ 76 cm	100 kg	850 L
BRW200	∅ 200 cm	∅ 140 cm	∓ 86 cm	140 kg	1300 L

Durability

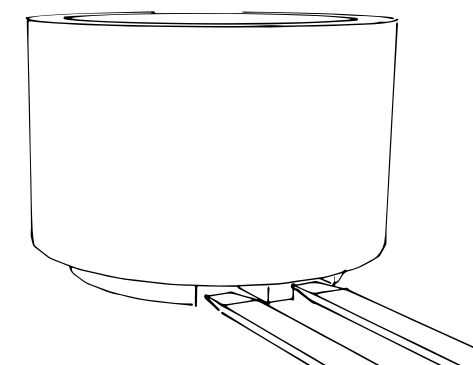
Known for its decorative attributes and bright gold appearance, brass also radiates durability.

Forklift

Both round and square planters can be handled by a forklift, starting from size 140 cm.



Bottom view



Side view

Brass

Brass is an alloy of copper and zinc. It is often used in decoration for its bright gold-like appearance.

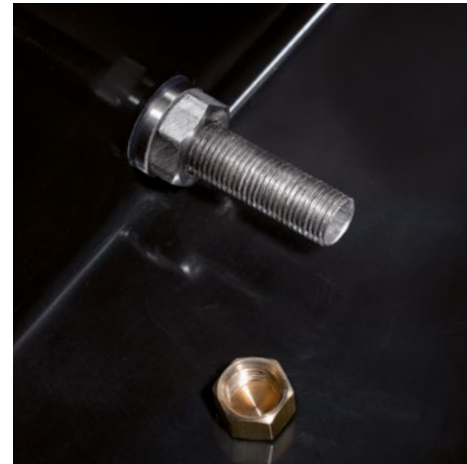
Polyester

To ensure the quality of the colors, the polyester planters are mass-colored which makes them colorfast and UV resistant. Besides the different sizes, these planters can be made from a wide choice of RAL colors to fit your projects needs.

Stainless steel drainage



For indoor use, the stainless steel drainage must be closed.



For outdoor use, it must be left open.

Finish

Our brass planters are assembled by hand in our workshops, each step in the process being carefully monitored and tested. All seams are carefully checked and polished. After giving the planter its patina we use a high quality English wax - the so-called "Renaissance" wax - to protect the brass.

To ensure the quality of the color, our polyester planters are mass-colored, which makes them more color-fast and UV-resistant. Besides being available in various shapes and sizes, our planters can be finished in a wide variety of RAL colors, to make your project stand out.

Our planters' special double-walled construction makes them both solid and surprisingly light-weight at the same time, rendering them particularly suitable for laying out terraces. Their inside structure makes them shape-fast and provides insulation during periods of extreme cold and heat alike.

